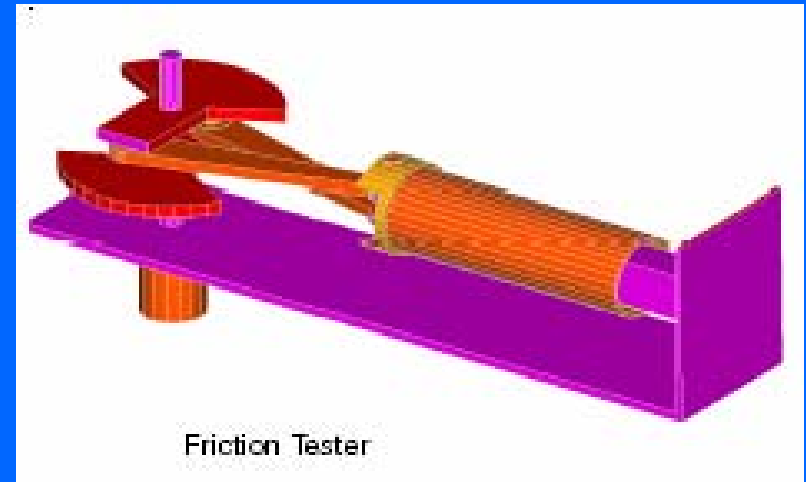


TASK 9.2: Tribo-optimisation

Highlights:

- EHD simulation of selected bearings initiated
- Design specification of friction tester apparatus completed
- Test specimens for ring groove coatings in production
- Initial design of on-line monitoring system



Partners:

