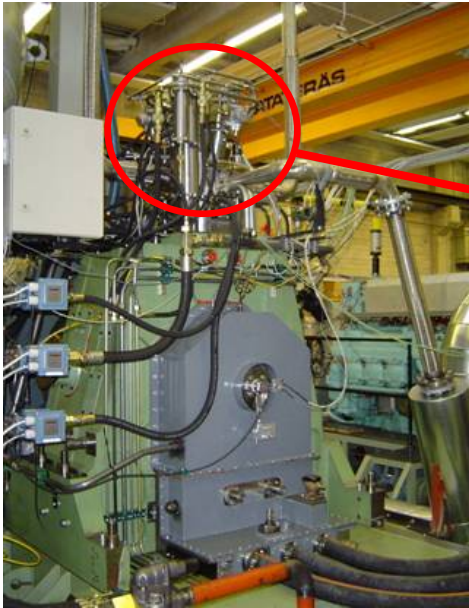
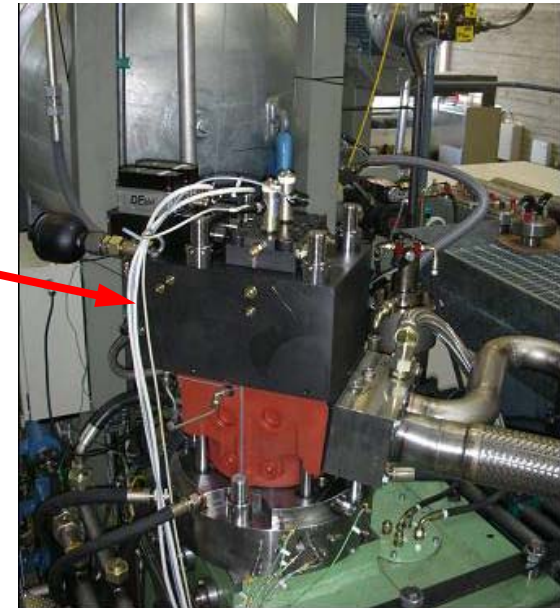


### EVE – revision of the valve actuator system



**Original EVE**

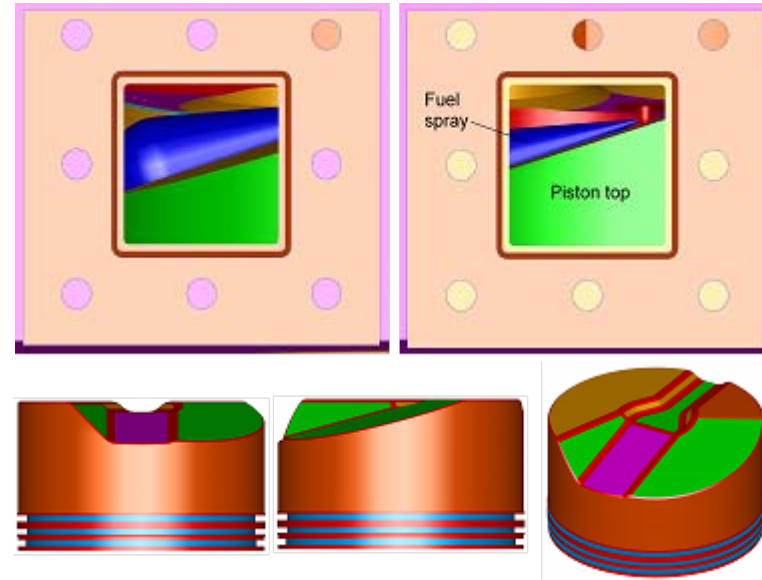
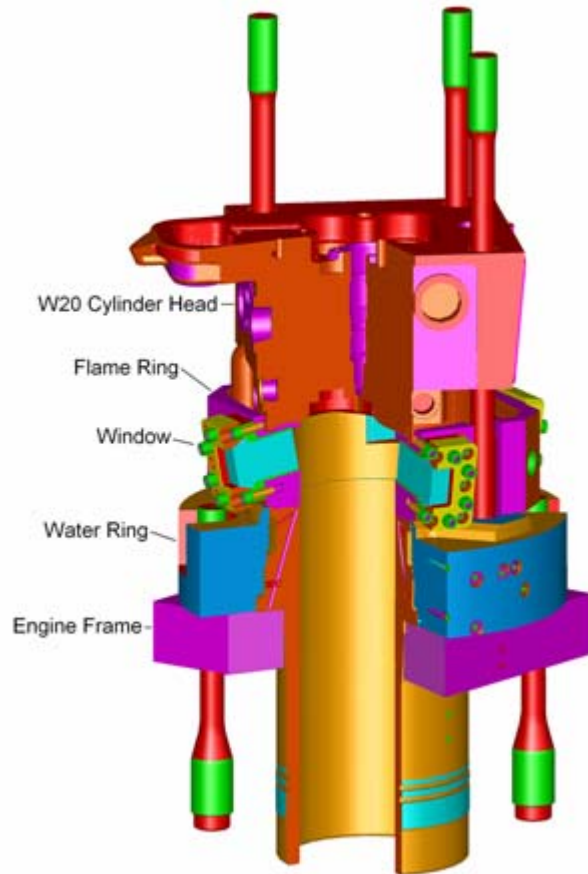


**Updated EVE**

#### **Status:**

- **Engine started 3/2006 with updated valve system**
- **Operational tests and reference tests started**
- **Measurement system development continues**

### Development status of “optical access” to EVE’s combustion chamber:



#### Status:

- Optical components ordered
- Piston top in design phase