

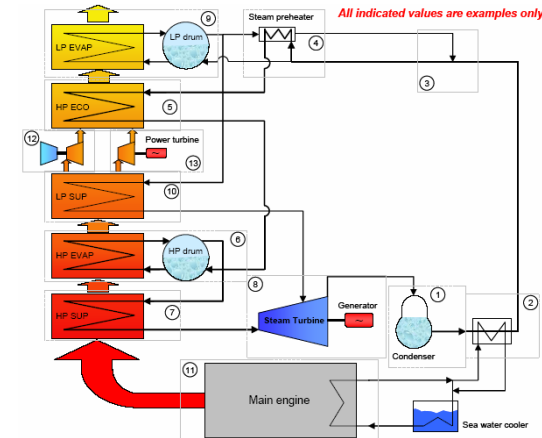
TASK 4.2: Hot Engine

Objectives:

- Development of an optimized combined cycle concept
- Simulation and development of prototype engine components
- Development of suitable boiler and power turbine technologies
- Onboard tests in an ocean-going vessel

Progress Highlights:

- Basic development of the hot engine itself completed
- Development work for the steam system to optimise performance in combination with the hot engine completed
- Components for service test with “Hot Engine” installed.
- “Hot Engine” simulation test in service in progress.
- Boiler and steam turbine component design completed
- Engine room design under evaluation.



Partners:    Hapag-Lloyd
Container Line  Peter Brotherhood Ltd

